

ECO HOUSE COMFORT



HomeMatic Central Control Unit CCU2

Installation and User Guide

Product Code EHC-HM01



ECO HOUSE COMFORT



Notes on this Manual	3
HomeMatic General System Information	3
General Notes on Radio Operation	3
Function	4
Overview and Connections	4
Installation	5
System Requirements	6
First start of the WebUI user interface	7
Feedback / error messages through Device LED	12
Troubleshooting Guide	13
Additional memory	19
Maintenance and Cleaning	19
Scope of delivery	20
Specifications	20



1. Notes on this Manual

Read these instructions carefully before you power up your HomeMatic components.

Retain the instructions for future reference!

If you give the device to other people, pass them these instructions too.

2. HomeMatic General System Information

This unit is part of the HomeMatic home control system and works with the bidirectional BidCoS® Wireless protocol.

All units are shipped with the default configuration.

In addition to the default configuration, the functionality of the device can be changed through the provided software. The additional functions of the device and of the HomeMatic System interaction with other components are driven by the software configuration - please refer to the HomeMatic System Guide. For the latest version of the technical documentations and latest updates, please refer to www.homematic.com.

3. General Notes on Radio Operation

The radio transmission is performed on a non-exclusive transmission path, so transmission faults can not be excluded; interferences can also be caused by switching operations, electrical motors or defective electrical appliances.

Therefore, the indoor range may substantially differ from that in free field. In addition to the transmitting power of the sender and receiving properties of the receiver, environmental influences such as humidity and on-site structural conditions play an important role to the overall range.

eQ-3 Entwicklung GmbH hereby declares that this device in compliance with the essential requirements and other relevant provisions of Directive 1999/5/EC. The complete Declaration of Conformity can be found at www.homematic.com.



4. Function

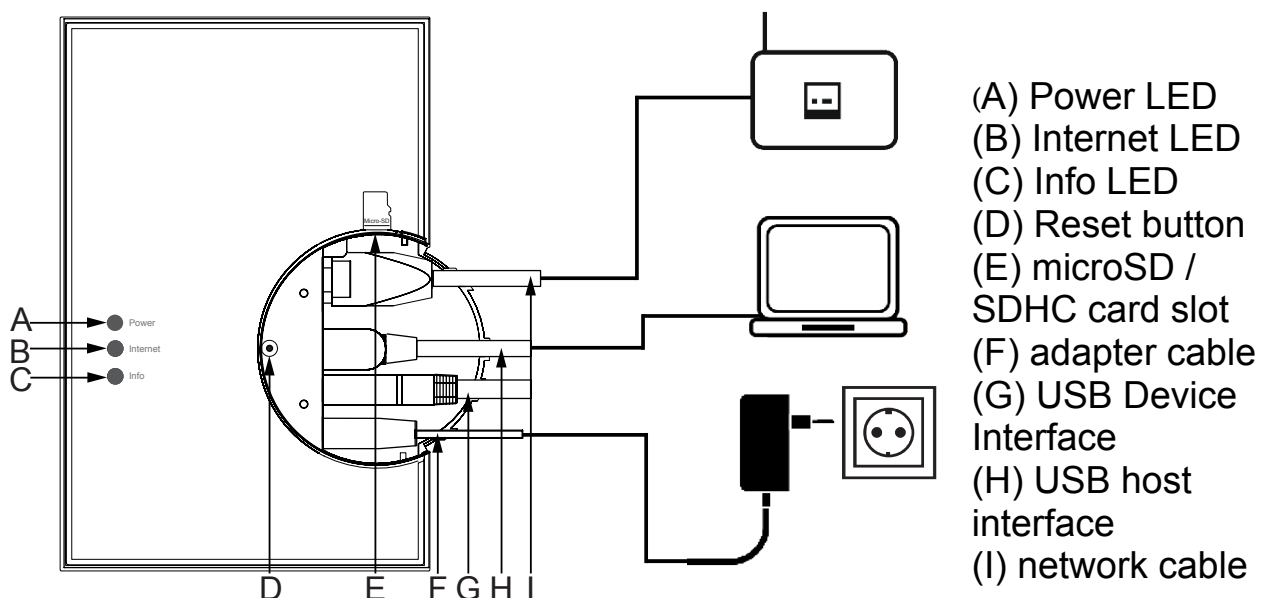
The HomeMatic Central Control Unit V2 (CCU2) is the central element of the HomeMatic controls automation and is used for the control and configuration of all the devices in your installation.

The operation of the control panel is accessed from a personal computer via the HomeMatic WebUI user interface; you can use any standard web browser to access it.

Advantages of the HomeMatic WebUI interface:

- Automatic configuration and control of home appliances;
- Status information of all HomeMatic devices in house;
- Direct links between HomeMatic devices remain active even if the CCU2 unit is disconnected;
- Complex control tasks and individual functions logic for centralised programs' setup.

5. Overview and Connections





6. Installation

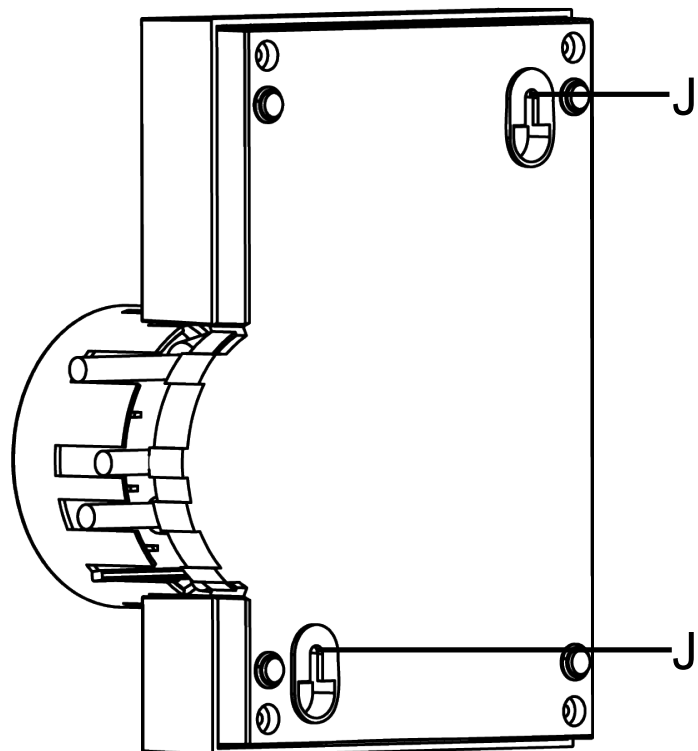
6.1. Wall Mounting

For wall mounting, please use the two screws and dowels supplied.

When selecting a mounting location, make sure that you will not have to drill in the vicinity of existing switches or sockets, and ensure that you have room enough to extend all cables along the wall.

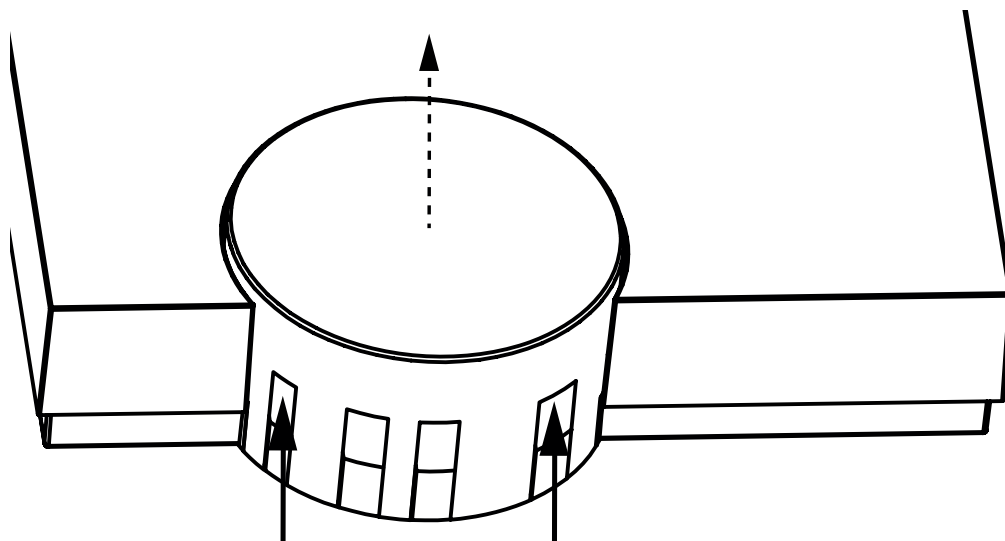
Do not mount the control panel in the vicinity of other radio sources (eg WLAN or DSL router). For Troubleshooting, refer to Section 10.

- Hold the drilling template (from the box, or download from our website) to the designated location while aligning it vertically or horizontally.
- Pin through the template to mark holes A and B on the wall.
- Use a 6mm drill for drilling the two marked holes in the wall. Insert the dowels provided into the holes. Screw in the anchors until they stand out approx 1.5 mm from the wall. Hang the device using the rear brackets (J) from above.



6.2. Connection to the Central Control Unit

- First, pull the cap off the top of the head piece.
- Connect the unit with the supplied network cable (I) to your DSL router or to your cable modem.



6.3. Connection to the Power Supply

Warning: To avoid damage to the unit, only use the original power supply (5VDC / 1500 mA) of the CCU2

Connect the supplied AC adapter (F) to the CCU2 and at plug it into the socket. The device may only be connected to an easily accessible power outlet. In case of danger, the plug must be easily drawn out, or socket switched off. The CCU2 is now ready for the first boot.

7. System Requirements

Current version of one of the following Web browsers:
Mozilla Firefox®, Microsoft® Internet Explorer, Google Chrome, Safari.

Data link:

Ethernet (TCP / IP and DHCP) USB 1.1 or higher (only with Microsoft Windows® XP / Vista™ / 7)

Screen resolution:

1024 x 768 (user-websites)

1280 x 1024 (Administrator websites)



8. First start of the WebUI user interface

8.1. Calling the WebUI

You need the HomeMatic user interface WebUI to be installed on your machine and all HomeMatic devices powered and running. In the WebUI you:

- Control and configure the CCU2;
- Link the CCU2 directly with other devices and link the other devices between them;
- Use the WebUI to access the control panel programs.

The access to the user interface is done via a Web browser (see section 7 for supported browsers).

INFO: If you do not have a network with a DHCP server, you can use the IP address of the USB port setting. Note that the CCU2 cannot connect to the network only via the USB port . For more information on setting up a USB connection, see Section 10 "Troubleshooting Guide".

- When the CCU2 is connected to the PC, the router and the power supply, open your web browser.
- Enter the following URL in your browser: <http://homematic-ccu2>, to go to the home page of your WebUI.



INFO: If after entering the URL <http://homematic-ccu2> the WebUI doesn't start, please follow the instructions from Section 10.



8.2. Set Date and Time

Once the CCU2 is connected to the network, the date and time are automatically detected and set.

Alarmmeldungen (0)	Abmelden
Servicemeldungen (0)	
Geräte anlernen	Hilfe
Uhrzeit:	08:23
Datum:	20.02.2013
Sonnenaufgang:	07:12
Sonnenuntergang:	17:27
Aktuelle Firmwareversion:	2.2.89
Anmeldung:	Kennwort nicht gesetzt!

If you do not have Internet connection, you can set the date and time manually. To do this, proceed as follows:

- Click on *Settings (Systemsteuerung)* in the user interface *Control Panel (Einstellungen)*.

Admin
Startseite

Startseite Status und Bedienung Programme und Verknüpfungen **Einstellungen**

keine Favoriten vorhanden ▼

- Geräte - Posteingang
- Geräte
- Räume
- Gewerke
- Benutzerverwaltung
- Systemvariable
- Favoriten
- Systemsteuerung**

then click on *Time and position adjustment (Zeit- und Positionseinstellung)*:



Enter the date and time and click *Apply Time (Uhrzeit übernehmen)*.

INFO: Alternatively, you can take the time from the PC, by clicking *Take time from PC (Zeit vom PC übernehmen)*, then click on *Back (Zurück)*:

Uhrzeit	Uhrzeit (hh:mm:ss)	12 : 16 : 41	<input type="button" value="Uhrzeit übernehmen"/> <input type="button" value="Zeit vom PC übernehmen"/>
	Datum (tt.mm.jjjj)	17 . 01 . 2013	
NTP-Server	NTP Zeitserver Adressen:	ntp.homematic.com	<input type="button" value="Zeitserver übernehmen"/>
Positionsangabe	Länderauswahl	Deutschland	<input type="button" value="Einstellungen übernehmen"/>
	Städteauswahl	Berlin	
	Längengrad	13.4 Ost	
	Breitengrad	52.5 North	
	Zeitzone	CET/CEST (UTC+1/+2)	
<input type="button" value="Zurück"/>			

8.3. Installing Updates

Before you start using your WebUI, check if there are any available updates for your system and, if so, install them. After connecting to the Internet, you see on the main page of your WebUI the system update(s) available to install:



Alarmmeldungen (0)
 Servicemeldungen (0)

Uhrzeit:	07:54
Datum:	21.02.2013
Sonnenaufgang:	07:10
Sonnenuntergang:	17:28
Aktuelle Firmwareversion:	2.2.89
Update:	Firmware 2.2.91 ist verfügbar
Anmeldung:	Kennwort nicht gesetzt!

To install an update, proceed as follows:

- Click on *Settings (Systemsteuerung)* in the user interface Control Panel:


 Admin
 Startseite

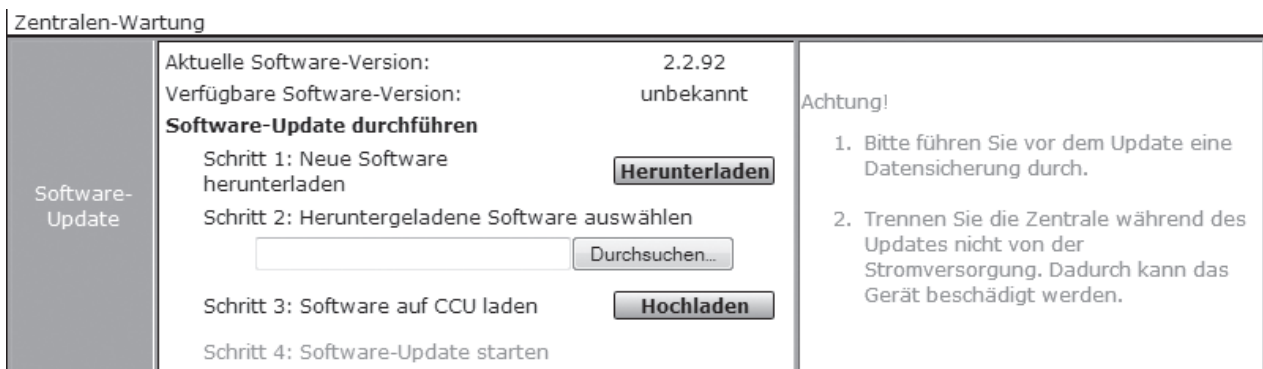
keine Favoriten vorhanden ▼

- Geräte - Posteingang
- Geräte
- Räume
- Gewerke
- Benutzerverwaltung
- Systemvariable
- Favoriten
- Systemsteuerung**

- Then click on *Central Maintenance (Zentralen-Wartung)*:



- Run in the "Software Update" steps 1-4:

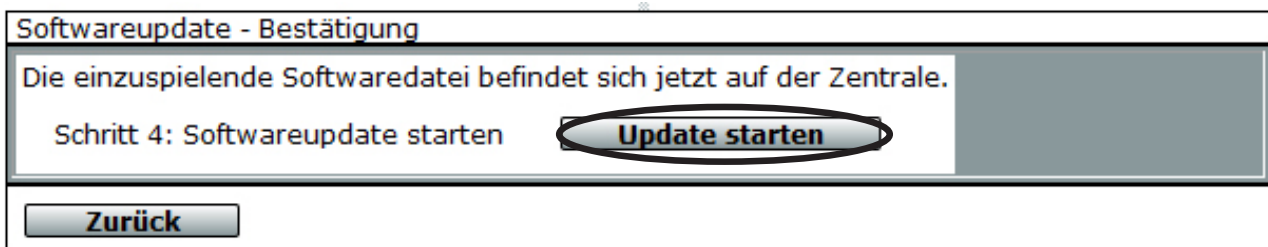


Step 1: Click on the button *Download (Herunterladen)* of the software installation files and save them on your PC.

Step 2: Select the downloaded software.

Step 3: Click *Upload (Hochladen)* to install the software on your computer. This process can take several minutes.

Step 4: Once the software installation file has downloaded to your computer, confirm the update by clicking the button *Start update (Update starten)*:



The software update is now completed. Once the software update has been performed, you must log in the CCU2 again to access the full, updated functionality.

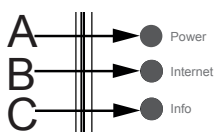


INFO: If you use the CCU2 without an Internet connection, the homepage of your WebUI displays the latest version stored in the CCU2.

8.4. Teach devices and Configure system

The CCU2 control panel is now ready for teaching-in devices. Once this is done, you will be able to control your devices via the WebUI and configure, connect directly with other devices or use centralised programs. For details, refer to the WebUI Manual (available in the download section of the website www.homematic.com).

9. Feedback / error messages through Device LED



The Power, Internet and Information Center LED can display, in different combinations, various error messages of the CCU2:

Condition	Power LED	Internet LED	Info LED	Fault Rectification
Starting the Hardware	On	On	On	If this condition is not stable, start the recovery system (see section 10.2)
Starting the System	On	Off	Fast blink	If this condition is not stable, start the recovery system (see section 10.2)
Internet Connection	On	On	--	--
Service announcements or updates	On	--	Blink	Check the system messages in the WebUI or perform an update
Update will be recorded	Fast blink	--	Fast blink	Please wait until the update has been recorded
Alarm messages	On	--	Fast blink	Check the system messages in the WebUI



Condition	Power LED	Internet LED	Info LED	Fault Rectification
No network connection	On	Off	--	Check your network cable and the connection between CCU2 and the router / switch
No IP address	On	Fast Blink	--	Check your network configuration. If no DHCP server possible, proceed as described in Section 10.1.2
No IP address, no internet access	On	Blink	--	Check the network configuration of your router
Started Recovery System	Blink	Blink	Blink	Wait until the system has gone through recovery

10. Troubleshooting Guide

10.1. WebUI will not load after entering the URL <http://homematic-ccu2>

If after entering the URL in your web browser <http://homematic-ccu2> you do not get on the WebUI user interface, follow the following solutions for troubleshooting.

10.1.1. Enter the IP address of your CCU

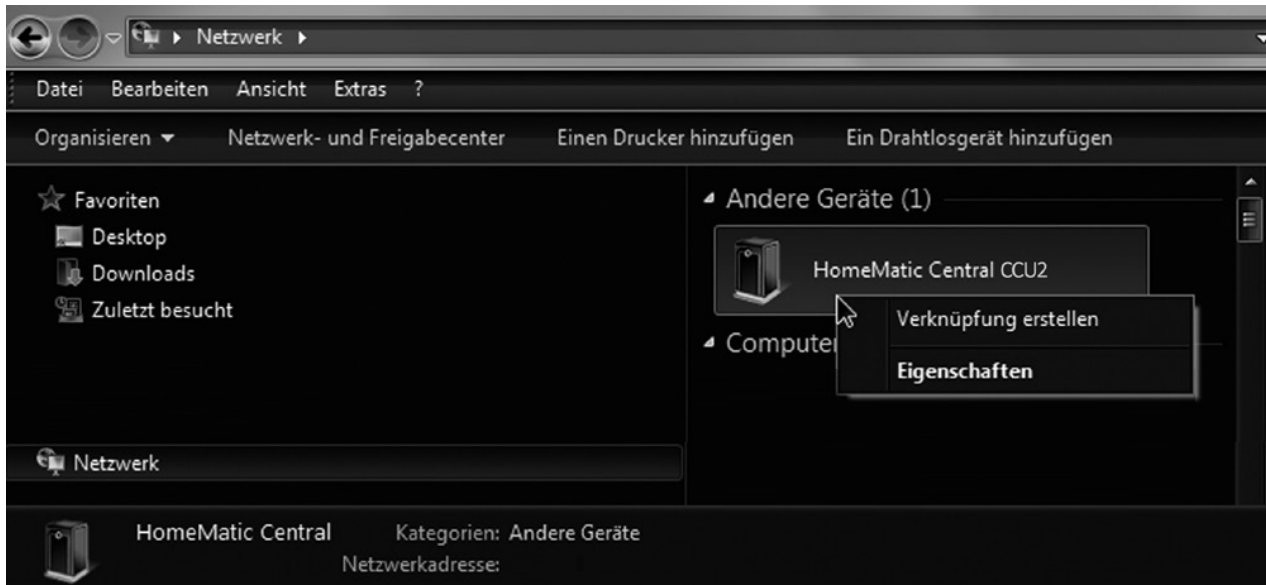
You can also type your IP address in your web browser to access the WebUI, instead of the URL <http://homematic-ccu2>. You have two ways of finding out the IP address of your home:

a) Display the IP address from network settings:

Check the CCU properties to find your IP address. Proceed as follows:



- Open your Windows Explorer. Click the network input settings.
- Choose your CCU and then right click and select *Properties* (*Eigenschaften*).



- From the next window, copy the IP address of your CCU:

- Enter the IP address into your browser and then go to the WebUI interface.

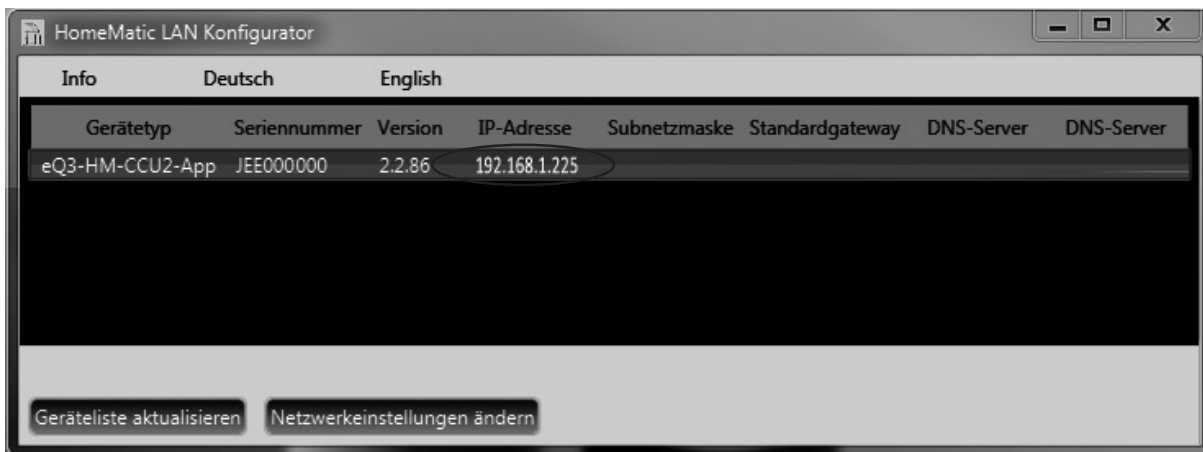




b) Display the IP address using additional software:

You can view the IP address of your location using an additional HomeMatic software. To download the software, proceed as follows:

- Open www.homematic.com the site.
- Download the installation file from the download area of the Tools "Home LAN Automatic Configuration".
- Install the software on your PC and open the Program.

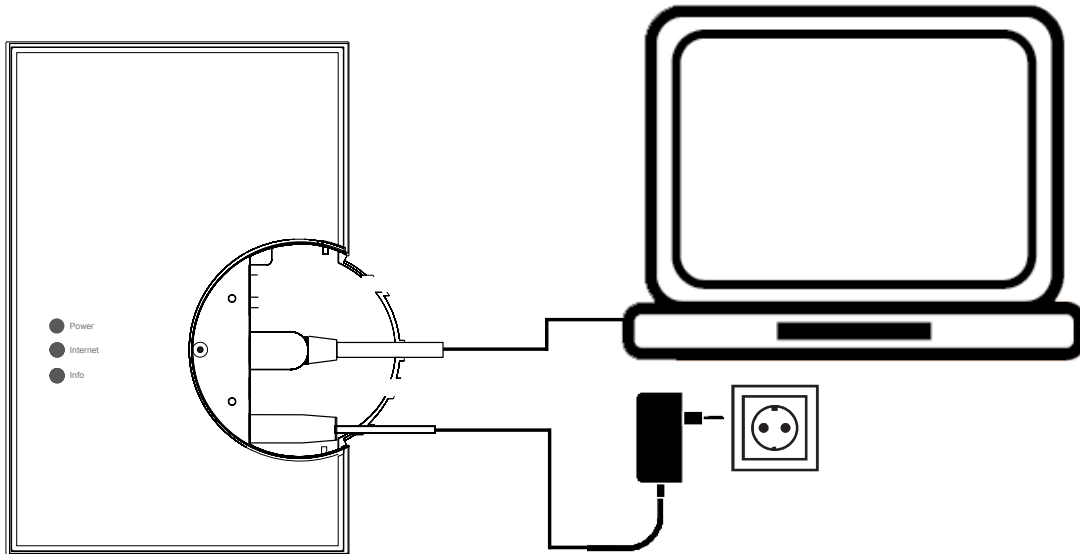


- Copy the IP address of your location.
- Enter the IP address in your browser then go to the WebUI interface.

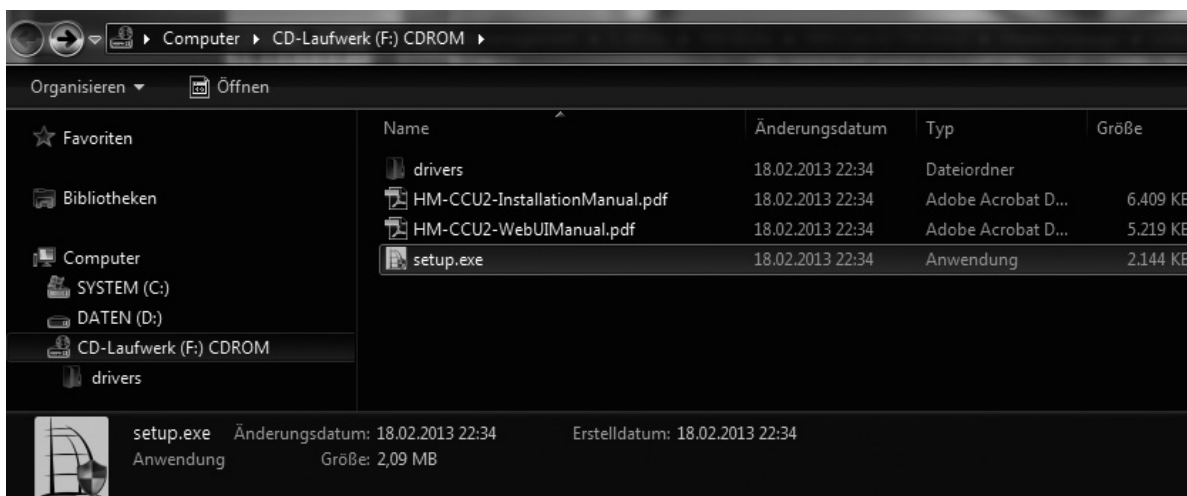
10.1.2. Connection via USB cable

If you use your CCU without a network connection, you can connect the device via a USB cable to your PC. You will need additional device drivers that you can install as follows:

- First connect your CCU2 via the included USB cable to your PC:



- The CCU automatically opens as a drive in Explorer:



- Open the installation file "setup.exe" and install it.
- Then enter the URL "10.101.82.51" in your Internet browser; this will take you to the WebUI user interface.

10.2. Recovery System

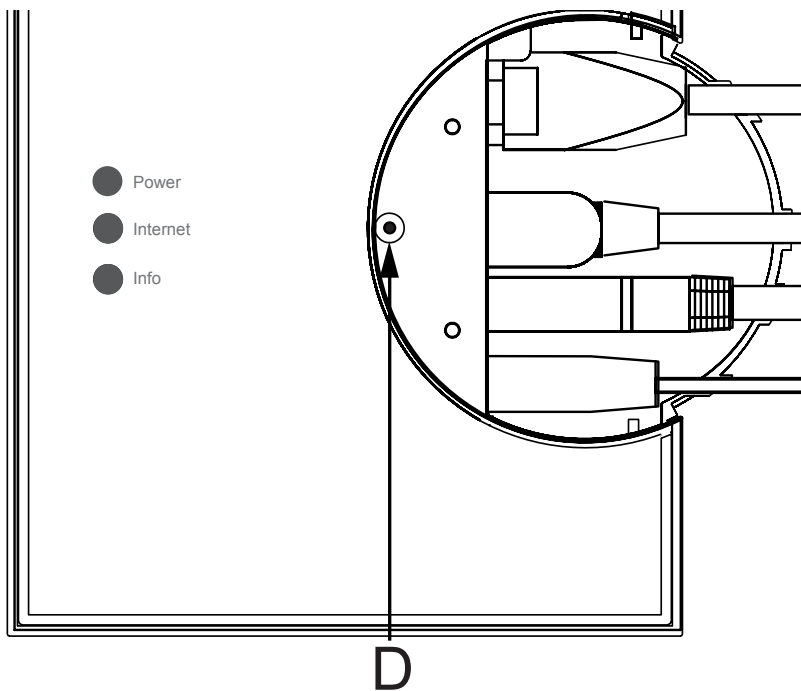
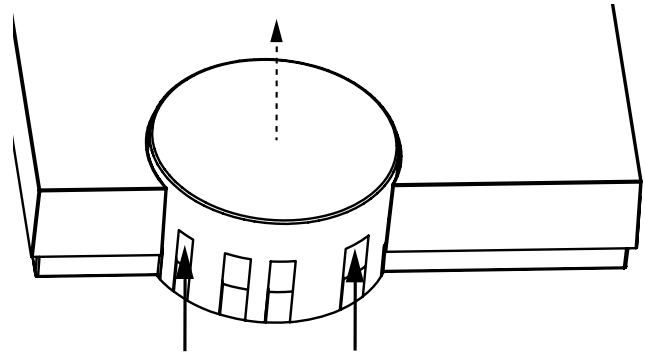
The System Recovery is only required if the HomeMatic control panel software is damaged. This can occur, for example, when the power supply is interrupted during a software update.



If the CCU's LEDs indicate that the normal operating system can not be started, a software update on the Recovery System must be performed.

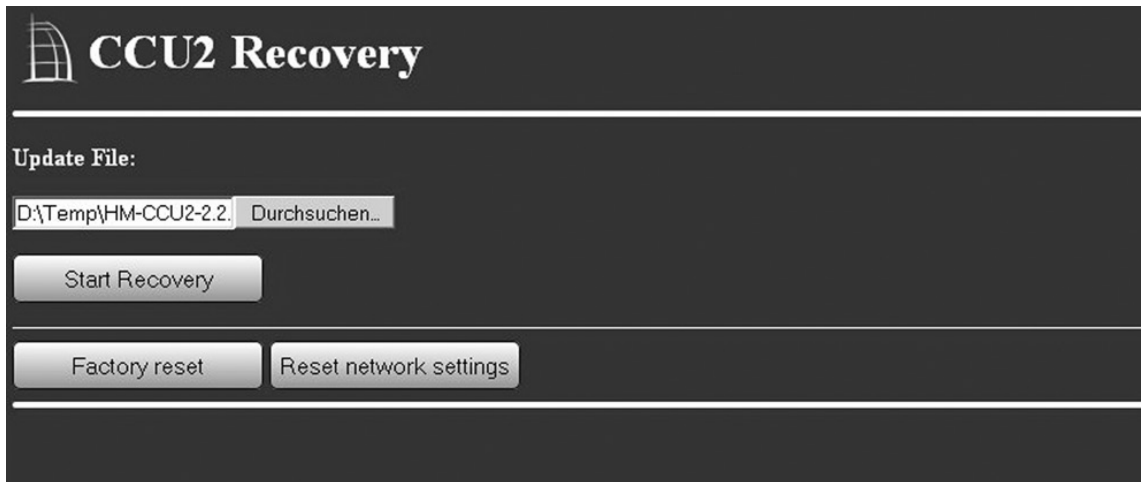
To start the rescue system, proceed as follows:

- First, remove the cap from your CCU device.
- Disconnect the power by pulling out the power supply cable (F). Wait 5 seconds.
- Press and hold the emergency button (D), while plugging in the power supply cable again, then release.



• The control panel now starts the recovery system. At first, all device LEDs remain off for 10 seconds. After the system recovery is started, all the LEDs flash simultaneously.

• Enter address "<http://homematic-ccu2>" in your Web browser to go to the start of the recovery system.



- First download the latest installation file of the software from the site www.homematic.com (in the download area).
- On the System Recovery to "Select File" and select the installation file.
- Then click on "Start Recovery" to restore the software.

After the software is restored, you must log into CCU2 again to gain access to full functionality.

INFO: using the *Factory reset* button will reset your CCU to the factory defaults. All configurations, settings and programming will be erased.

INFO: using the "Reset network settings" button will only reset the network settings to the CCU's factory defaults.

10.3. Achieving Duty Cycle limit

The duty cycle describes a statutory limitation of transmission time of devices in the 868 MHz range. The aim of this regulation is to ensure the functioning of all the 868 MHz band working devices.

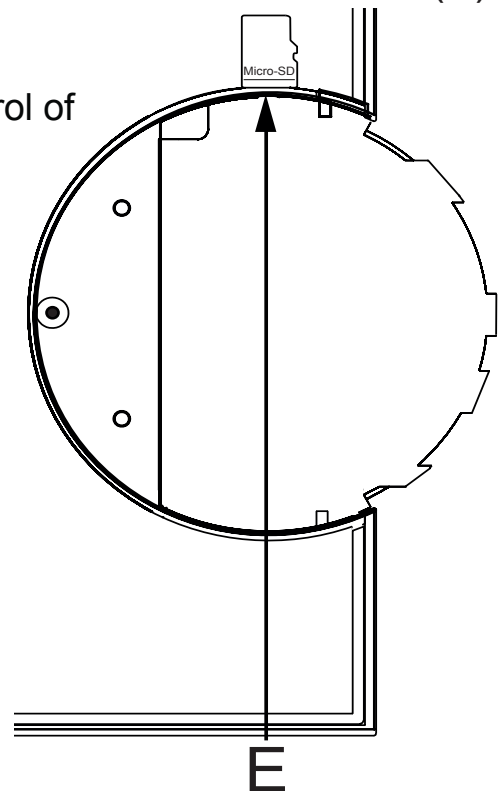
When using the frequency range 868 MHz, the maximum transmission time of each unit is 1% of an hour (or 36 seconds in an hour); if the units reach the 1% limits, they will not send radio signals until this time limit is over. According to this directive, HomeMatic devices are designed and manufactured to 100% standard-compliant.



In normal operation, the duty cycle rule is not fully utilised. However, there may be cases (on the start-up or initial system installation) where there may be a radio traffic increased or an intensity spike due to the processes. Exceeding the duty cycle limit is indicated by flashing of your HomeMatic device LEDs and can be expressed by a temporary lack of device function. If this is the case, the normal function of the device is restored after a short period (within 1 hour).

11. Additional memory

By using the microSD memory cards, the control of the CCU can be increased. This storage expansion serves for storing future extensions (such as measurement data). To expand the memory capacity, slide in a microSD card into the slot (E) available in the control panel.



12. Maintenance and Cleaning

The product is maintenance free. Maintenance or repair should be done by trained professionals. Clean the product with a soft, clean, dry, lint-free cloth.

For the removal of heavy soiling the cloth slightly moistened with lukewarm water. Do not use solvent-based cleaning agents, as the plastic housing and the labels can be attacked.



13. Scope of delivery

- HomeMatic CCU2 unit;
- AC adapter (Output 5VDC, 1500 mA) - European plug, no adapter supplied;
- Mounting hardware (2x screws, 2 plugs);
- USB cable
- Ethernet cable;
- Drilling template;
- User Guide.

14. Specifications

Supply voltage.....	Power Supply (5V)
Input.....	100 - 240 V, 50/60 Hz, 0.5 A
Output	5V DC, 1500 mA
Protection class.....	III (Low voltage)
Protection	IP20
Ambient temperature.....	5 bis 35 °C
Storage temperature.....	-20 bis +60 °C
Dimensions (W x H x D):.....	116 x 150 x 34 mm
Weight	165 g
Radio frequency.....	868.35 MHz
Reception class.....	SRD Class 2
Outdoor range.....	typ. 250 m
Duty Cycle.....	< 1 % per h
Dimensions (W x H x D):.....	116 x 150 x 34 mm
Memory	can be increased via microSD card

ECO HOUSE COMFORT



USB.....1 USB Host Port 1 USB Device Port
Network.....10/100 MBit/s, Auto-MDIX
WebUI Language.....English / German